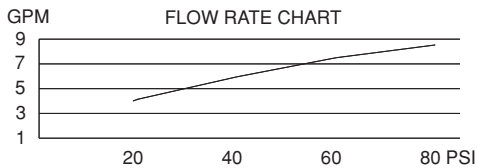


### SINGLE HANDLE PRESSURE BALANCE TUB & SHOWER FAUCET

#### Description

- Single handle with massage showerhead
- All brass 6" shower arm
- Combination 1/2" copper sweat/IPS 4-port hook up
- Diverter on spout

#### Flow & Valving



#### Standards

- ASME A112.18.1
- CSA B125
- ASSE 1016
- Listed IAPMO/UPC
- Energy policy act of 1992
- ADA Accessibility Guidelines for Buildings and Facilities - 4.27.4 Controls and Mechanisms

#### Warranty

Danze products are covered by a manufacturer's limited "lifetime" warranty for manufacturing defects.



D510021 (shown)  
ANTIOCH™

**With Diverter & Stops:**  
D510021 (Tub/Shower)

**With Stops:**  
D500521 (Shower only)

#### Available Colors & Finish

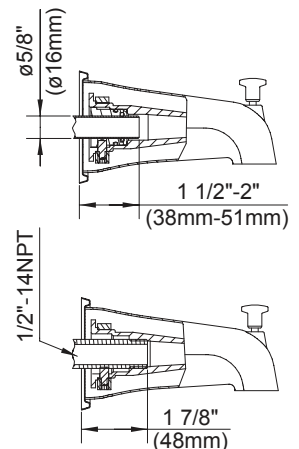
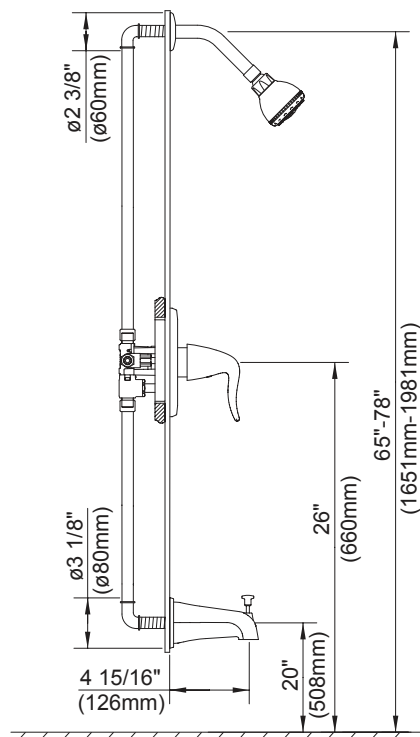
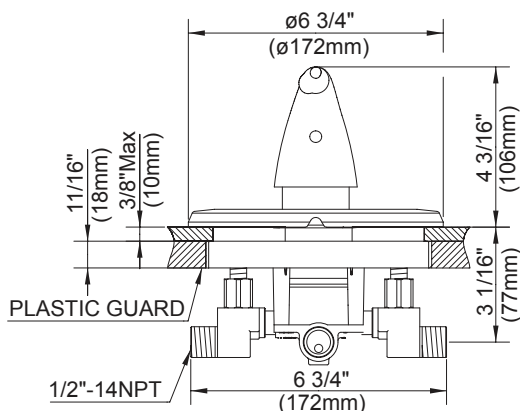
- Chrome
- Brushed Nickel (BN)
- Oil Rub Bronze (RB)

#### Trim Kits: (for use w/pressure balance valves)

- D510021T (Tub/Shower trim)
- D500521T (Shower only trim)
- D500421T (Valve only escutcheon trim)

#### Special Packaging

- This product also available with valve packaged separate from trim.
- Tub & Shower, Shower Only & Valve Only Escutcheon Trim Kit - use w/valve: D112000BT (w/diverter & stops) or D115000BT (w/o stops)
- Pressure Balance Valves are combination 1/2" copper sweat, 1/2" NPT threaded connectors for all ports.



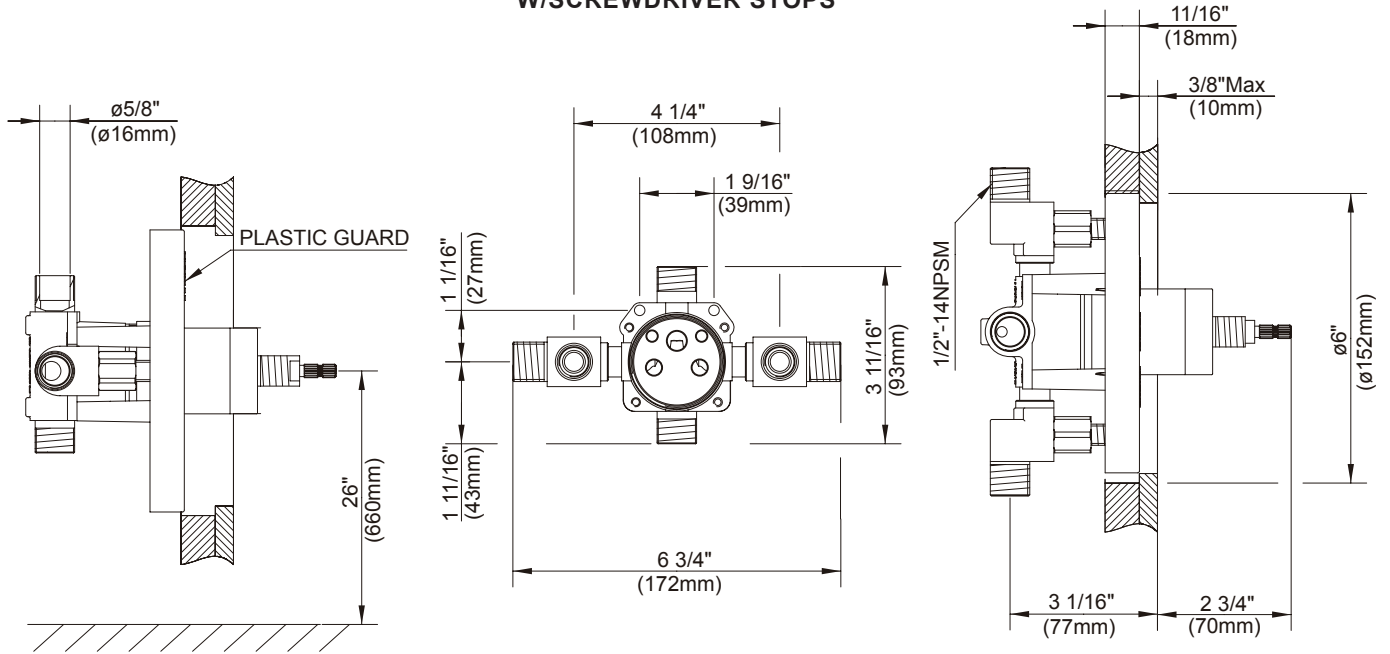
Specific Features: \_\_\_\_\_ Submitted Model No.: \_\_\_\_\_

SD510021/04-07.01

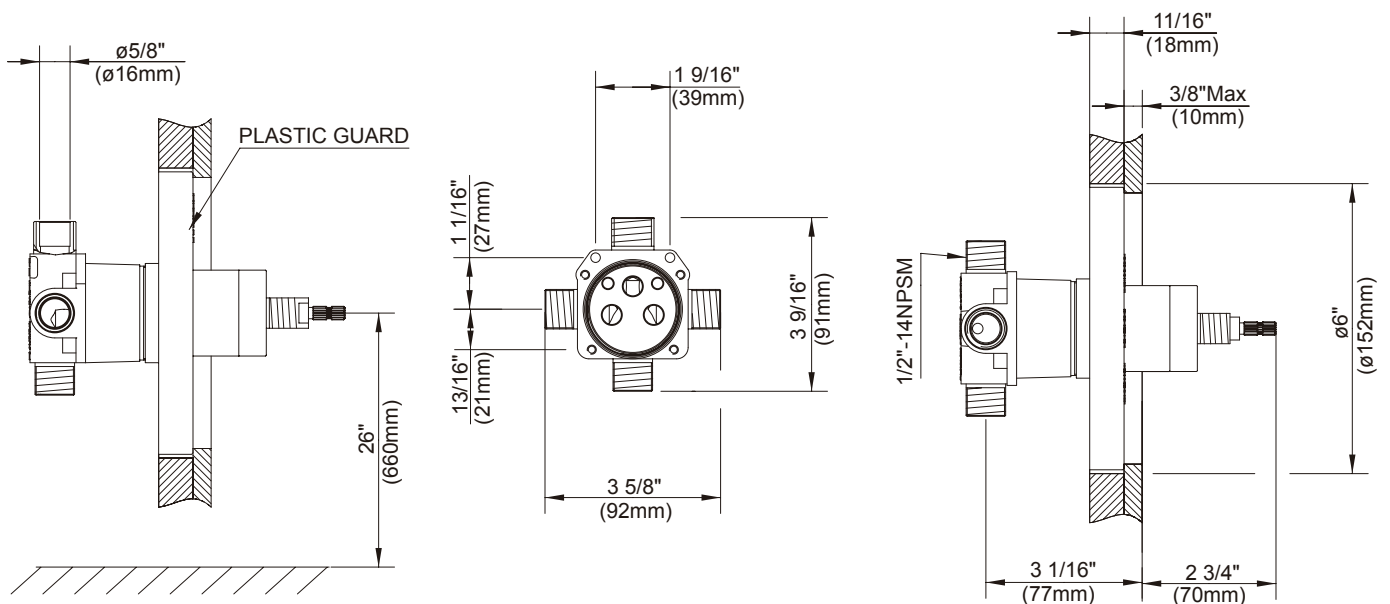
### SINGLE HANDLE PRESSURE BALANCE TUB & SHOWER VALVES

Critical Dimensions : Rough-in valve D112000BT (w/stops) & D115000BT (w/o stops)

#### W/SCREWDRIVER STOPS



#### W/O STOPS



Specific Features: \_\_\_\_\_ Submitted Model No.: \_\_\_\_\_